

Type **TK16 H₂**

WEH[®] H₂ Fuelling Nozzle

for cars at self-service fuelling stations



General

DESCRIPTION



Features

- Compatible with WEH® TN1 H₂ receptacle profile
- WEH® EASY-TURN 360° swivel joint for actuation lever
- Easy operation
- Extremely high flow rate → short filling times
- Recirculation of the vented gas
- Plastic thermal protection
- WEH® Jaw locking mechanism
- High-grade materials
- Coding for pressure range / gas type

The WEH® TK16 H₂ Fuelling Nozzle makes refuelling with compressed hydrogen (CGH₂) even more easy for the operator. The TK16 H₂ is very light in weight and therefore easy to operate.

The actuation lever is located on the integrated swivel joint making it easy to rotate into the optimal actuating position. The actuation lever needs less effort to actuate the nozzle.

The WEH® TK16 H₂ has a coding specifically for pressure range and gas type and thus the coding will not allow connection to natural gas vehicles or other pressure ranges.

Safety

WEH® TK16 H₂ offers optimum safety to the operator.

The fuelling nozzle remains connected to the receptacle until the gas between inlet valve and receptacle is depressurized.

Application

Fuelling nozzle for H₂ fast filling of cars at self-service fuelling stations.

		NOZZLE - pressure range/coding			
		250 bar	350 bar	350 bar HF*	700 bar
RECEPTACLE - pressure range/coding	250 bar	✓			
	350 bar	✓	✓		
	350 bar HF*	✓	✓	✓	
	700 bar	✓	✓		✓

* HF = High-Flow

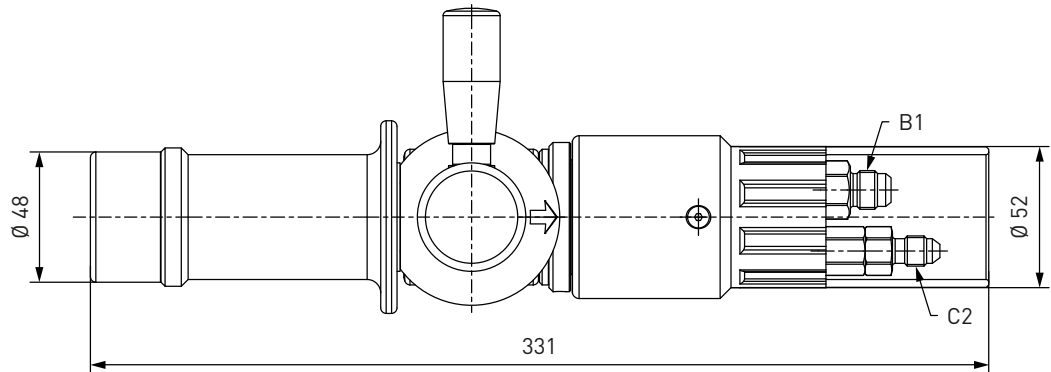
TECHNICAL DATA

Characteristic	Basic version	Options
Nominal bore DN	8 mm	On request
Pressure range	PN = 110 bar (1,600 psi) PS = 140 bar PT = 210 bar PN = 250 bar (3,600 psi) PS = 350 bar PT = 525 bar PN = 350 bar (5,000 psi) PS = 450 bar PT = 675 bar	
Temperature range	-40 °C up to +85 °C (-40 °F up to +185 °F)	On request
Material	Corrosion resistant	On request
Sealing material	Hydrogen compatible	On request
Design	With plastic thermal protection and gas recirculation	On request
Weight	Approx. 1.75 kg (3.86 lbs.)	
Registration	PED97/23/EC: CE0036 SAE J2600:2002	

Ordering / Accessories

ORDERING | WEH® TK16 H₂ Fuelling Nozzle

approx. dimensions (mm)



Part No.	Description	Pressure (PN)	Inlet B1 (external thread)	Gas recirculation C2 (external thread)
C1-45695	TK16 H ₂	250 bar / 3,600 psi	UNF 9/16"-18*	UNF 7/16"-20*
C1-45696	TK16 H ₂	350 bar / 5,000 psi	UNF 9/16"-18*	UNF 7/16"-20*
C1-106575	TK16 H ₂	110 bar / 1,600 psi	UNF 9/16"-18*	UNF 7/16"-20*

* acc. to SAE J514, 37°

Complete nozzle-hose-assemblies consisting of fuelling nozzle, hose set and breakaway coupling are available on request.

ACCESSORIES

The following accessories are available for the WEH® TK16 H₂ Fuelling Nozzle:

Filling and venting hoses

Filling and venting hose for connecting fuelling nozzle and TSA1 H₂ breakaway coupling, complete with fittings and press-fittings supported by coil spring stubs.
Design: max. operating pressure PS: 450 bar (6,530 psi) / nominal bore DN: 6.35 mm



Part No.	Filling hose B1/B2 (internal thread)	Venting hose C1/C2 (internal thread)	Hose length
C1-60917	UNF 9/16"-18*	UNF 7/16"-20*	3 m
C1-60920	UNF 9/16"-18*	UNF 7/16"-20*	4 m
C1-60923	UNF 9/16"-18*	UNF 7/16"-20*	5 m

* acc. to SAE JIC, 37°

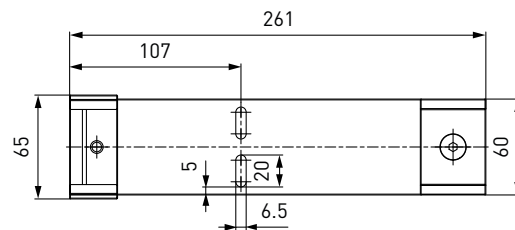
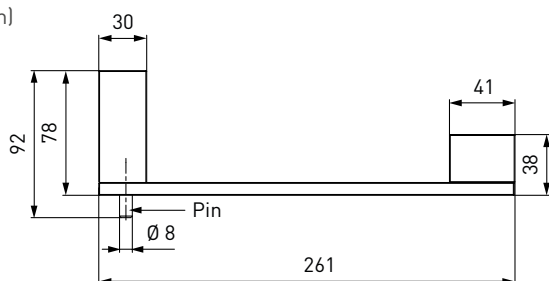
Accessories

Dispenser mounting

Mounting for safe attachment of the fuelling nozzle to the dispenser. Design: Aluminium, stainless steel

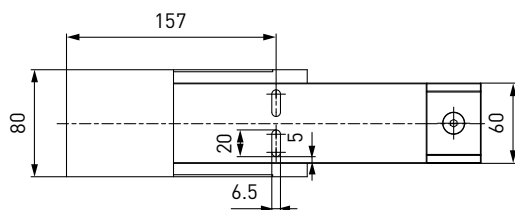
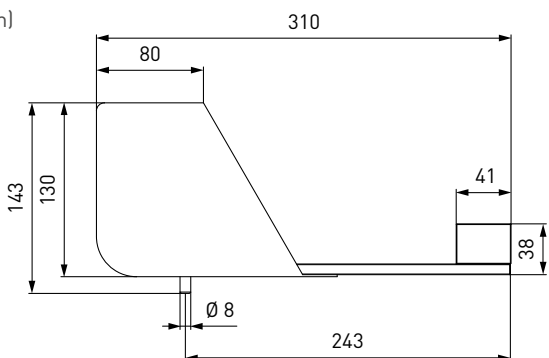
Switch actuated (with pin) resp. not switch actuated mounting

approx. dimensions (mm)



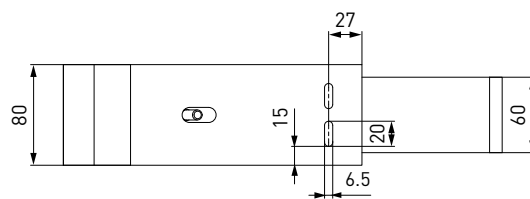
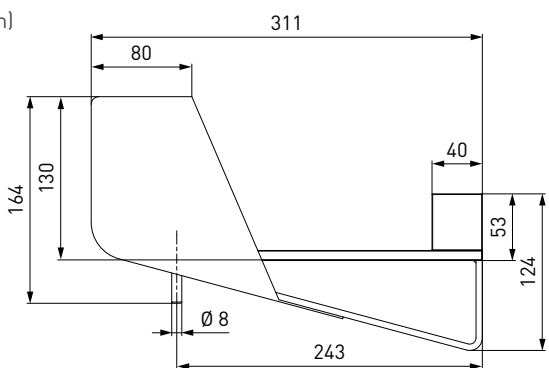
Switch actuated mounting with weather protection

approx. dimensions (mm)



Switch actuated mounting with weather protection and angle plate 15°

approx. dimensions (mm)



Part No.	Description
C1-55209	Mounting (switch actuated)
C1-55212	Mounting (not switch actuated)
C1-82152	Mounting (switch actuated) with weather protection
C1-112643	Mounting (switch actuated) with weather protection and angle plate 15°

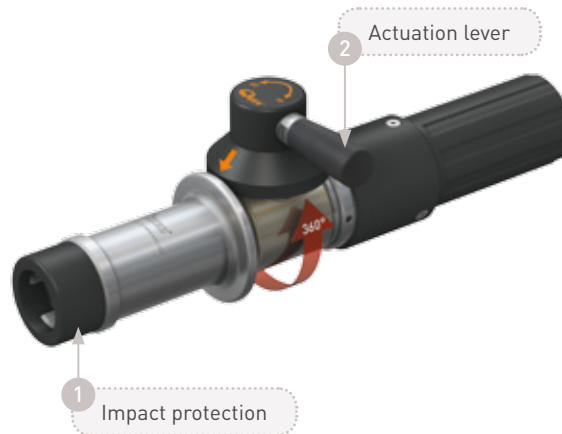
Accessories

Fittings

Stainless steel fittings for connecting port 'B1' to the filling hose resp. the port 'C2' to the venting hose are available on request.

Spare parts

Various parts are available as spares for the TK16 H₂ fuelling nozzle.



Part No.	Description
E80-45857	1 Impact protection
W72504	2 Actuation lever
E99-44923	Maintenance spray

Other products

OTHER PRODUCTS

You will find more products in our current catalogue no. 50



Further information on our homepage
www.weh.com

» Contacting

For queries and further information, please do not hesitate to contact us.

Manufacturer:

WEH GmbH Gas Technology

Josef-Henle-Str. 1
89257 Illertissen / Germany

Phone: +49 7303 95190-0
Fax: +49 7303 95190-9999

eMail: h2sales@weh.com
www.weh.com