

Type **TN1 H₂** WEH[®] Receptacle

for refuelling of cars with hydrogen



General

DESCRIPTION



Features

- Low-noise refuelling
- Version with and without integrated self-cleaning particle filter (50 resp. 40 micron)
- Integrated high-flow check valve
- Sealing-friendly design
- Coding for pressure range / gas type

The WEH[®] TN1 H₂ Receptacle is designed specifically for hydrogen refuelling of cars. Due to the internal aerodynamic design the receptacle gives low noise (no high frequency whistle) combined with maximum flow rate and fast filling. The receptacle is a very durable unit, minimizing maintenance and down-time. The WEH[®] TN1 H₂ Receptacle has an integrated check valve system which is designed to minimize the effect that dirt particles have on the sealing components within the receptacle. The TN1 H₂ is also equipped with a coding for pressure range and gas type.

Enhanced safety by integrating a particle filter

Using an integrated particle filter avoids dirt ingress and therefore leakage from the receptacle which gives enhanced safety.

Application

Receptacle for refuelling of cars with hydrogen.

		NOZZLE - pressure range/coding			
		250 bar	350 bar	350 bar HF*	700 bar
RECEPTACLE - pressure range/coding	250 bar	✓			
	350 bar	✓	✓		
	350 bar HF	✓	✓	✓	
	700 bar	✓	✓		✓

* HF = High-Flow

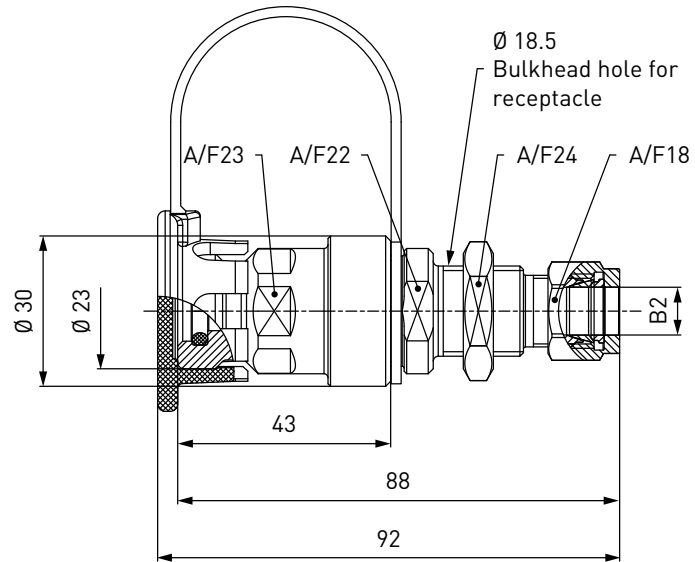
TECHNICAL DATA

Characteristic	Basic version	Options
Nominal bore DN	8 mm	On request
Pressure range	PN = 250 bar (3,600 psi) PS = 350 bar PT = 525 bar PN = 350 bar (5,000 psi) PS = 450 bar PT = 675 bar	Pressure range 110 bar resp. 500 bar on request
Temperature range	-40 °C up to +85 °C [-40 °F up to +185 °F]	On request
Material	Corrosion resistant	On request
Sealing material	Hydrogen compatible	On request
Design	With protection cap, with resp. without integrated particle filter (50 resp. 40 micron), integrated check valve and fittings (only for receptacles with tube fitting)	On request
Registration	e1 00 0008 (Regulation (EC) No. 79/2009) PED97/23/EC: CE0036 SAE J2600:2002	

Ordering

ORDERING | WEH[®] TN1 H₂ Receptacle with tube fitting and filter (50 micron)

approx. dimensions (mm)



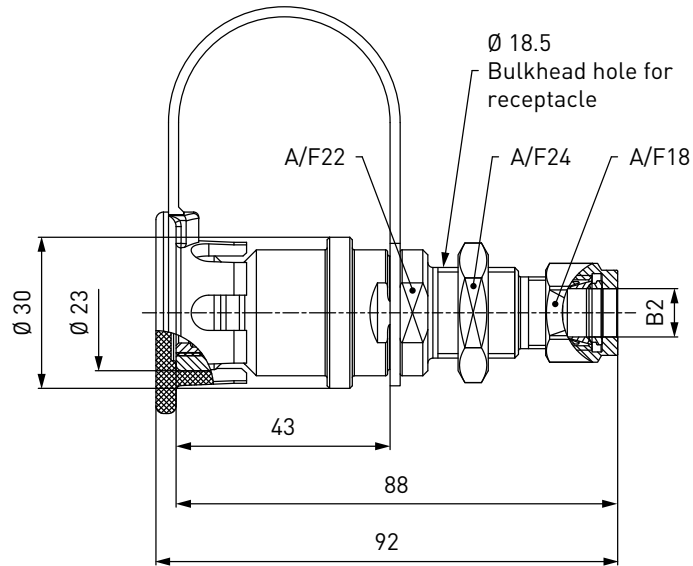
Part No.	Description	DN	Pressure (PN)	Port B2
C1-31315	TN1 H ₂ (CE)	8	250 bar / 3,600 psi	Tube Ø 3/8"*
C1-31316	TN1 H ₂ (e1)	8	350 bar / 5,000 psi	Tube Ø 3/8"*
C1-70661	TN1 H ₂ (CE)	8	250 bar / 3,600 psi	Tube Ø 10"*
C1-35426	TN1 H ₂ (e1)	8	350 bar / 5,000 psi	Tube Ø 10"*

* double ferrule fitting

Ordering

ORDERING | WEH® TN1 H₂ Receptacle with tube fitting, without filter

approx. dimensions (mm)



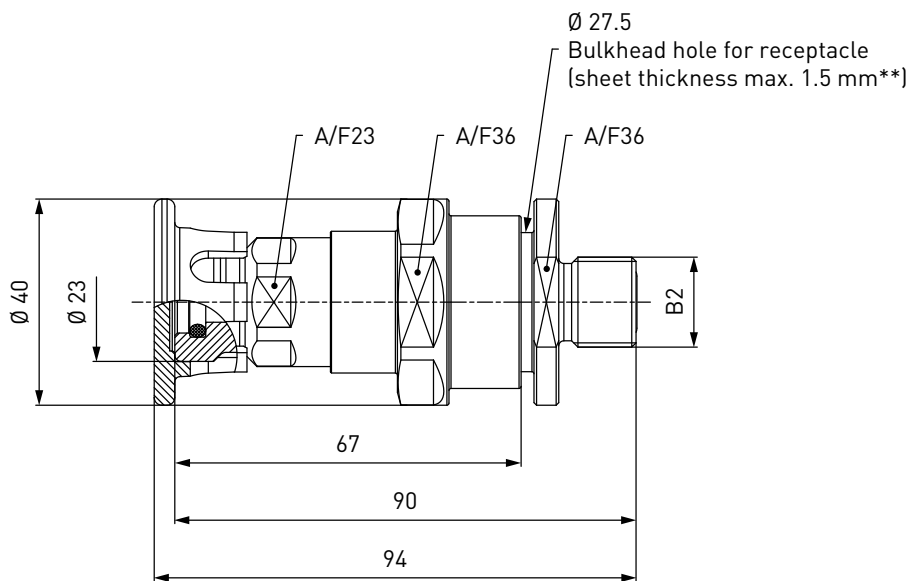
Part No.	Description	DN	Pressure (PN)	Port B2
C1-18480	TN1 H ₂ (CE)	8	250 bar / 3,600 psi	Tube Ø 3/8"*
C1-18481	TN1 H ₂ (CE)	8	350 bar / 5,000 psi	Tube Ø 3/8"*
C1-32456	TN1 H ₂ (e1)	8	350 bar / 5,000 psi	Tube Ø 10*

* double ferrule fitting

Ordering / Spare parts

ORDERING | WEH® TN1 H₂ Receptacle prepared for data interface, with filter (40 micron)

approx. dimensions (mm)



Part No.	Description	DN	Pressure (PN)	Port B2 (external thread)
C1-85965	TN1 H ₂ (e1)	8	350 bar / 5,000 psi	UN 11/16" -16 for sealing with O-Lok® Face Seal* for tube Ø 10 (3/8")

* Face Seal acc. to SAE J1453

** Please indicate when ordering if thicker sheet metals are needed!
Data interface and fittings not included!

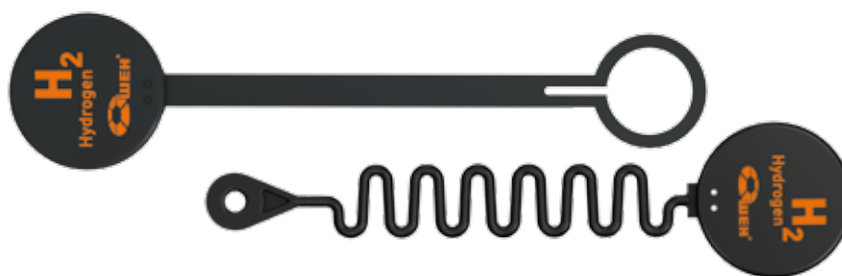
Other connection sizes and versions on request.

SPARE PARTS

Various parts are available as spares for the WEH® TN1 H₂ Receptacle:

Protection cap

Protection cap with a strap to protect the TN1 H₂ receptacle from dirt ingress.



Part No.	Description
C1-87803	Protection cap
C1-85984	Protection cap for receptacles prepared for data interface

Other products

OTHER PRODUCTS

You will find more products in our current catalogue no. 50



Further information on our homepage
www.weh.com

» Contacting

For queries and further information, please do not hesitate to contact us.

Manufacturer:

WEH GmbH Gas Technology

Josef-Henle-Str. 1
89257 Illertissen / Germany

Phone: +49 7303 95190-0
Fax: +49 7303 95190-9999

eMail: h2sales@weh.com
www.weh.com