

# Type **TS50 CNG**

## Fuelling System

for installation in cars



**General**

**DESCRIPTION**



**Features**

- Integrated WEH® TN1 CNG receptacle (NGV1) with filter
- Integrated starter cut-off micro switch (version 1 + 3)
- Gas venting via protection hose (version 1 + 2)
- Different fuel tank caps, acc. to design
- Protection against unauthorized use (version 1 + 3)
- Dirt and splash waterproof construction
- No danger of freezing

WEH offers the fuelling system type TS50 CNG for retrofitting of vehicles to run on compressed natural gas. The TS50 CNG fuelling system is a CNG conversion kit for quick and easy installation into the vehicle. The two housings can be preinstalled within seconds. The final installation is possible from the inside or outside of the vehicle. The type TS50 CNG is equipped with a receptacle with filter compatible with the NGV1 profile. Version 1 and 3 have a starter cut-off micro switch. The micro switch interrupts the starter operation and prevents the vehicle from driving off during refuelling. Version 1 and 2 are additionally equipped with a protection hose for gas venting. In case of a gas leakage the gas is diverted away from the connection. The interior of the fuelling system is protected by a fuel tank cap from dirt and splash water thus reducing the danger of freezing.

On request type TS50 CNG is also available without tube for protection hose for gas venting and without starter cut-off micro switch.

**Application**

Fuelling system for installation in cars.

**TECHNICAL DATA**

Characteristic	Basic version	Options
Nominal bore DN	8 mm	On request
Pressure range	PN = 200 bar (3,000 psi)   PS = 260 bar   PT = 390 bar (ECE)	
Temperature range	-40 °C up to +120 °C (-40 °F up to +248 °F)	On request
Material	Housing: plastic Receptacle: corrosion resistant	On request
Sealing material	Natural gas compatible	On request
Design	Incl. TN1 CNG receptacle with filter (40 micron), starter cut-off micro switch (protection type IP679), tube for protection hose for gas venting, fuel tank cap and fittings	Without tube for protection hose for gas venting Without starter cut-off micro switch
Registration	E1 110R-000001-01 (TN1 CNG)	

**General**

**OVERVIEW TYPES TS50 CNG**

For the TS50 CNG fuelling system various designs are available:



**1 TS50 CNG with lockable fuel tank cap and key (version 1)**



To prevent unauthorized use, the fuelling system is equipped with a lockable fuel tank cap.

**2 TS50 CNG with cap, without lock and starter cut-off micro switch (version 2)**



The type TS50 CNG is also available without lock. The fuel tank cap protects the interior of the fuelling system from dirt and splash water and reduces the danger of freezing.

**3 TS50 CNG with lockable 3-hole fuel tank cap (version 3)**

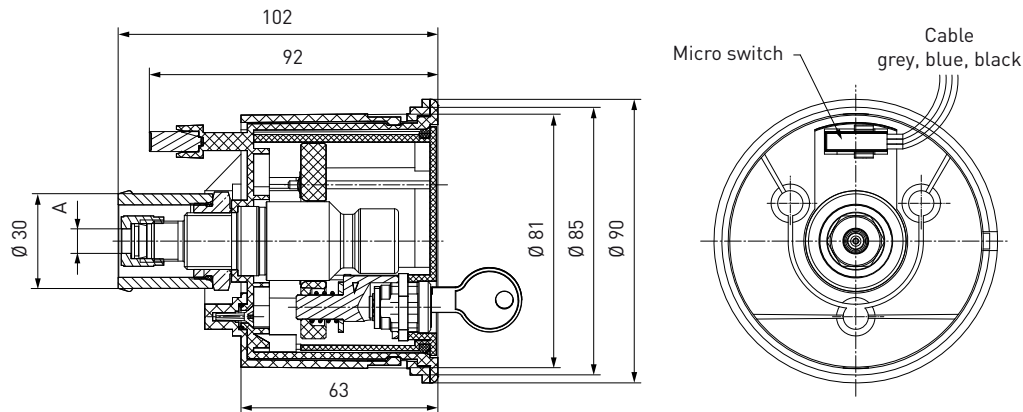


We also offer type TS50 CNG with 3-hole fuel tank cap and special key to prevent unauthorized use for narrowed spaces.

**Ordering**

**ORDERING** | Fuelling system TS50 CNG with lockable fuel tank cap and 2 keys (version 1)

approx. dimensions (mm)



Cable: grey = N/C | blue = N/O | black = inlet port

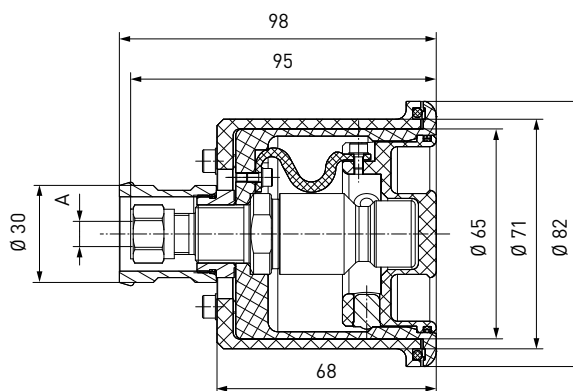


Part No.	Description	Pressure (PN)	Connection A
<b>C1-106406</b>	TS50 CNG	200 bar / 3,000 psi	Tube Ø 6*
<b>C1-106413</b>	TS50 CNG	200 bar / 3,000 psi	Tube Ø 1/4**
<b>C1-106410</b>	TS50 CNG	200 bar / 3,000 psi	Tube Ø 8*
<b>C1-106414</b>	TS50 CNG	200 bar / 3,000 psi	Tube Ø 3/8**
<b>C1-106415</b>	TS50 CNG	200 bar / 3,000 psi	Tube Ø 10*

\* double ferrule fitting

**ORDERING** | Fuelling system TS50 CNG with fuel tank cap, without starter cut-off micro switch (version 2)

approx. dimensions (mm)



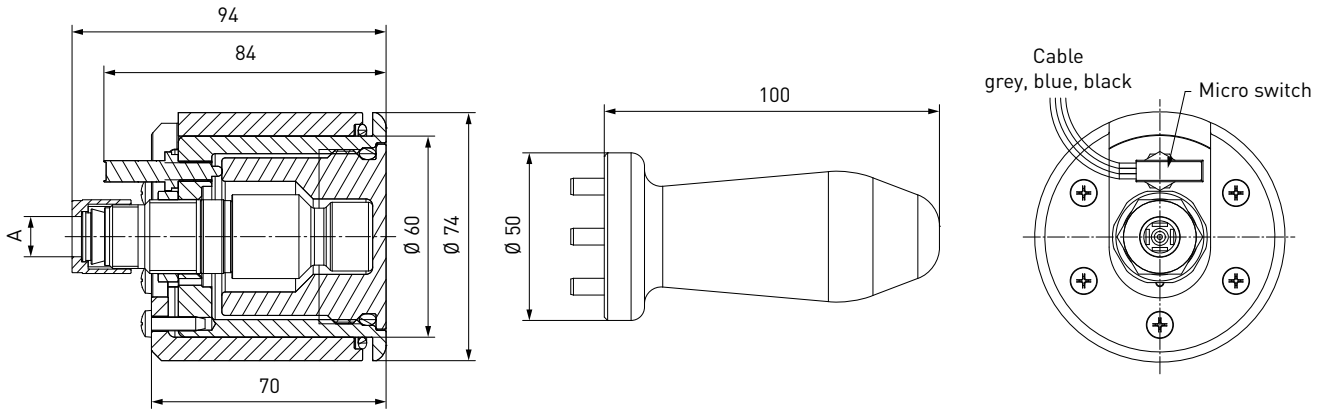
Part No.	Description	Pressure (PN)	Connection A
<b>C1-106416</b>	TS50 CNG	200 bar / 3,000 psi	Tube Ø 6*
<b>C1-106417</b>	TS50 CNG	200 bar / 3,000 psi	Tube Ø 8*
<b>C1-106418</b>	TS50 CNG	200 bar / 3,000 psi	Tube Ø 10*

\* double ferrule fitting

**Ordering**

**ORDERING** | Fuelling system TS50 CNG with lockable 3-hole fuel tank cap (version 3)

approx. dimensions (mm)



Cable: grey = N/C | blue = N/O | black = inlet port



Part No.	Description	Pressure (PN)	Connection A
<b>On request</b>	TS50 CNG**	200 bar / 3,000 psi	Tube Ø 10*
<b>C1-106419</b>	TS50 CNG**	200 bar / 3,000 psi	Tube Ø 12*
<b>C1-106421</b>	TS50 CNG**	200 bar / 3,000 psi	Tube Ø 1/2"

\* double ferrule fitting

\*\* without tube for protection hose for gas venting

**SPARE PARTS**

Various parts are available as spares for type TS50 CNG:



Part No.	Description
<b>W6931</b>	1 Fuel tank cap with marking incl. 2 keys (version 1)
<b>W35528</b>	2 Pull-out fuel tank cap (version 2)
<b>E29-2775401</b>	3 3-hole fuel tank cap (version 3)
<b>W6036</b>	4 Key for 3-hole fuel tank cap (version 3)

## Other Products

### OTHER PRODUCTS

You will find more products in our current catalogue no. 15



Further information on our homepage  
[www.weh.com](http://www.weh.com)

### » Contacting

For queries and further information, please do not hesitate to contact us.

*Manufacturer:*

**WEH GmbH Gas Technology**

Josef-Henle-Str. 1  
89257 Illertissen / Germany

Phone: +49 7303 95190-0

Fax: +49 7303 95190-9999

eMail: [ngvsales@weh.com](mailto:ngvsales@weh.com)

[www.weh.com](http://www.weh.com)